

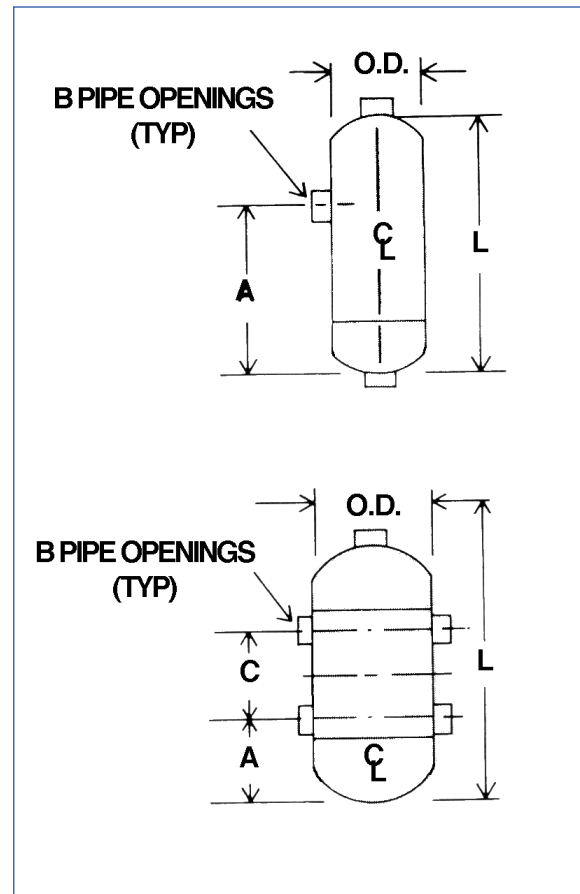
TECH CHAMBER

Condensate and Seal Chambers

- Use as liquid or condensate traps, seal pots, vapor chambers and knockout pots.
- Prefabricated, pressure tested and ready for installation
- Threads per ANSI B2.1 taper pipe thread 1/2 NPT furnished.
- Chamber per ISA RP3.
- Each chamber pressure tested and certification of test furnished with chamber. Upon request.
- Chambers are cleaned, rust proofed and tagged. Upon request.
- Available with or without mount tab.
- Materials available - Carbon Steel, 304 and 316 stainless steel and other materials upon request.
- Constructed of schedule 40, 80, or 160 ASTM-A106 grade B seamless pipe. End caps are of C1018 carbon steel 3000 and 6000 lb. Couplings.

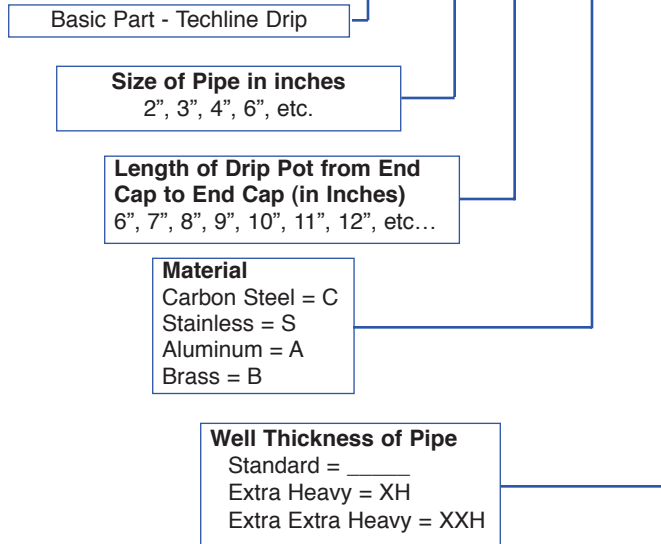
All connectors are furnished with plastic plugs. Extra connections can be furnished upon customer's request. Other sizes, materials and types available. Prices on application.

These chambers are made from seamless carbon steel pipe and weld caps. The interior of each chamber is cleaned, removing foreign elements, resulting in a clean interior. All pipe connections are 3,000# half-couplings mounted on 90 angles (Unless otherwise specified) assuring proper installation. Extra connections can be furnished upon customer request. Other sizes materials and types available. Prices on applications.

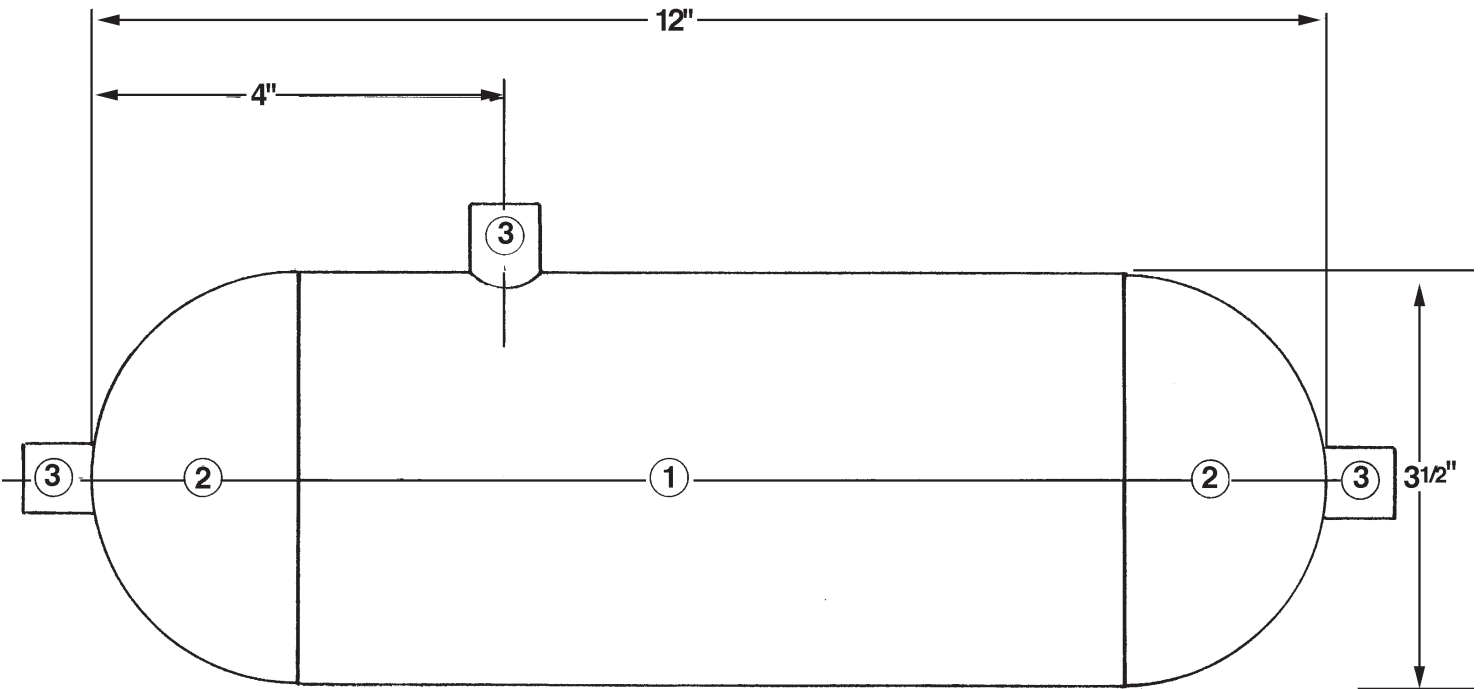


How to Order Techline Drip Pot

Example: **TLDP - 3 - 12 - CS - XH**



Techline Condensate Drip Pot



TLDP3-12XH

Bill of Materials

- 1. 3" SCH. 80 Carbon Steel or Stainless Pipe
- 2. 3" SCH. 80 Carbon Steel or Stainless Pipe Cap.
- 3. 1/2" NPT Half Coupling

Standard Stock Condensate Pot Stocked in Carbon Steel or 304 Stainless Steel