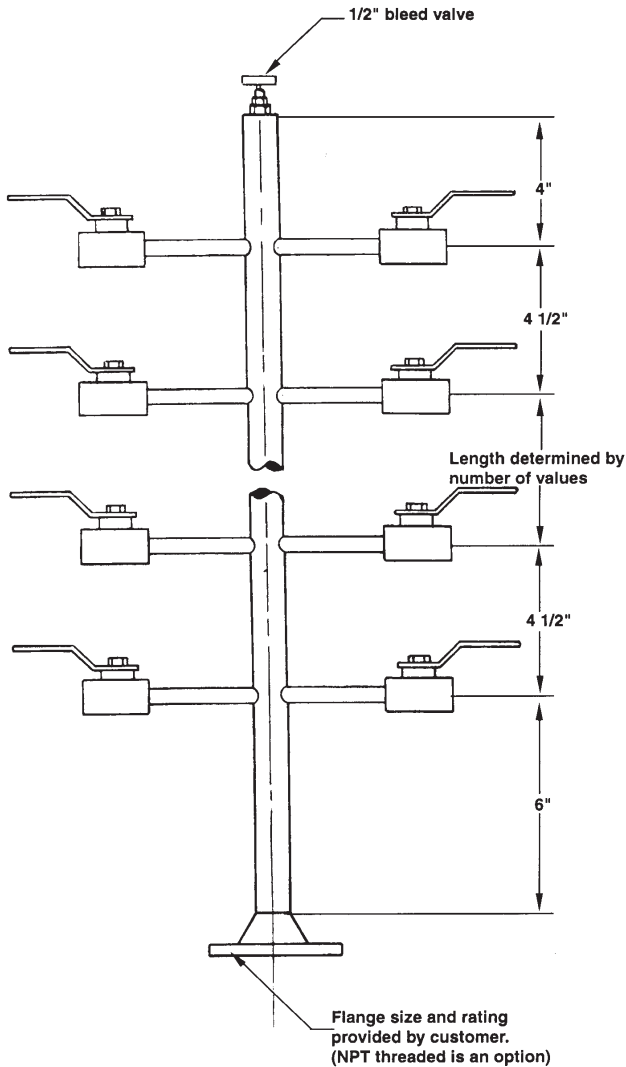


Techline Air Headers



GENERAL SPECIFICATIONS

Notes: TechLine Air headers are manufactured in accordance with customer specifications allowing for ease of installation.

- Offered in 1" and 2" schedule 40 welded or seamless pipe, lengths up to 20 feet.
- The distance between tops may vary depending upon customer specification, but standard dimensions are 4 1/2".
- They are available in threaded and flanged connections (note flange size and flange rating to be provided by customer).
- Solid welded construction used between pipe and nipples eliminate leak paths.
- Two piece 1/2" threaded Techline ball valve provided as standard (but customer may specify brand of ball valve to be used.)
- Oliver 1/2 bleed valve provided as standard.

MATERIAL: Carbon steel is standard, Aluminum, 304SS, and 316SS materials available upon request.