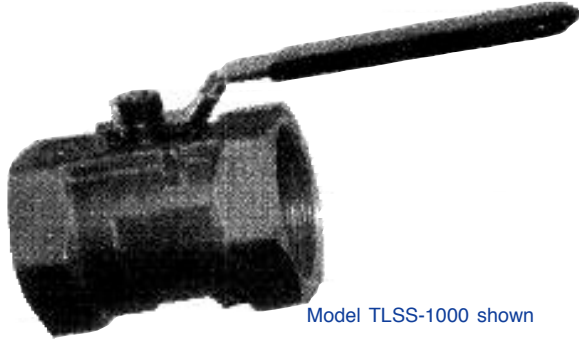
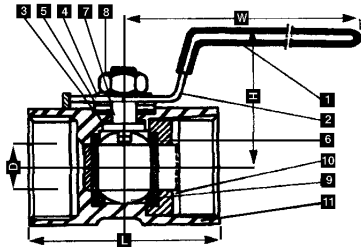


1-Piece Reduced Port Ball Valve

Model TL SS-1000 - Stainless Steel
Model TL B-1500 - Bronze



Model TLSS-1000 shown



FEATURES

Model TL SS-1000 (Sizes 1/4" thru 2" FNPT)
Model TL B-1500 (Sizes 1/4" thru 2" FNPT)

- Available in Stainless Steel & Bronze
- Pipe Thread in accordance with ANSI B2.1, BS 21 1973
- Blow-out proof stem/reduced port
- Investment casting body
- Stainless Steel-1000 PSI (69 BAR) W.O.G.
Bronze-400 PSI (69 BAR) W.O.G.
- Locking device, lug body

SIZE	D		L		H		W		CV FACTOR	TORQUE INCH/LBS	KGS
	MM	INCH	MM	INCH	MM	INCH	MM	INCH			
1/4 "	5	.197	39.3	1.54	33	1.29	64	2.51	4.0	12	0.09
3/8"	7	.275	44	1.73	35	1.37	75	2.96	4.0	12	0.11
1/2 "	9.2	.362	56.5	2.22	42	1.65	89	3.50	4.5	12	0.19
3/4 "	12.5	.492	59.5	2.34	46	1.81	89	3.50	9.0	18	0.26
1"	16	.629	71	2.79	50	1.96	106	4.17	16.0	36	0.41
1 1/4"	20	.787	78	3.07	56	2.20	106	4.17	24.0	54	0.62
1 1/2"	24.5	.964	83	3.26	66	2.60	128	5.00	37.0	72	0.88
2"	32	1.25	100	3.93	72	2.83	128	5.00	68.0	84	1.46

2 Piece Full & Standard Port Ball Valves

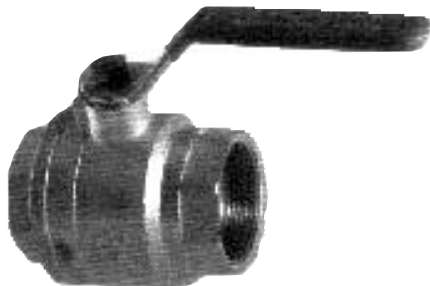
MODELS

TL 22-2000/Stainless Steel Standard Port

TL B-2100/Brass Standard Port with Bronze Coating

TL SS-2500/Stainless Steel Full Port

TL B-2600/Brass Full Port with Bronze Coating



Model TLB-2600 shown

FEATURES

Model TL SS-2000: (Sizes 1/4" thru 2" FNPT)

- Pipe thread in accordance w/ANSI B2.1, BS 21 1973
- Locking device
- Blow-out proof stem/Standard bore
- Investment casting body and cap
- 2000 PSI (138 BAR) W.O.G./800PSI (55 BAR) W.O.G.
- Material: ASTM CF8M A351, ASTM CF8 A351

Model TL B-2100: (Sizes 1/4" thru 2" FNPT)

- Non-shock working pressure
- Saturated steam 150 PSI
- Cool water-oil gas 400 PSI
- Suitable temperature range - 20 to 200 C

Model TL SS-2500: (Sizes 1/4" thru 4" FNPT)

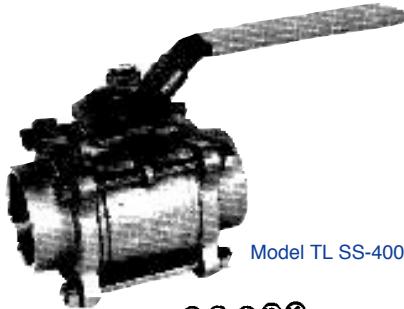
- Pipe thread in accordance w/ANSI B2.1, BS 21 1973
- With mounting device
- Blown-out proof stem/Full bore
- Investment casting body and cap
- 1000 PSI (69 BAR) W.O.G./2000 PSI (138 BAR) W.O.G.
- Locking device, lug body

Model TL B-2600: (Sizes 1/4" thru 4" FNPT)

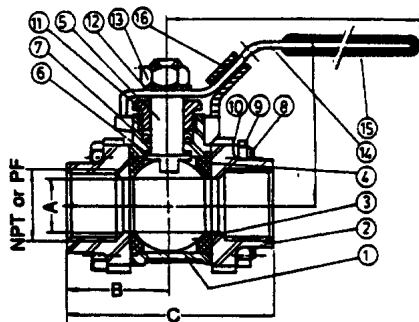
- Non-shock working pressure
- Saturated steam 150 PSI
- Cool water-oil gas 400 PSI
- Suitable temp. range -20° to 200° C

3-Piece Stainless Steel & Carbon Steel Full Port Ball Valves

Model TL SS-4000/Stainless Steel
Model TL CS-4000/Carbon Steel



Model TL SS-4000 shown



FEATURES:

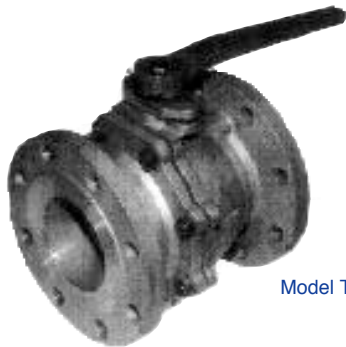
Model TL SS-4000: (Sizes 1/4" thru 3" FNPT)

- Pipe thread in accordance w/ ANSI B2.1, BS 21 1973
- Locking device, lug body
- Blow-out proof stem/full port
- Investment casting body & cap
- 1000 PSI (69 BAR) W.O.G.
- Mounting flanged for ISO Standard 5211
- Screwed end, butt weld end, socket weld end
- Material: Stainless Steel - ASTM CF8M A351, ASTM CF8 A351
 Carbon Steel - ASTM-A216-WCB

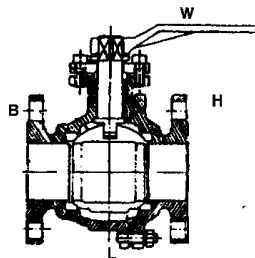
SIZE	D		L		H		W		G	ISO 5211
	MM	INCH	MM	INCH	MM	INCH	MM	INCH		
1/4"	11.5	.45	32.5	1.27	65	2.55	36	1.41	M5	FOR F03
3/8"	12.7	.50	32.5	1.27	65	2.55	36	1.41	M5	FOR F03
1/2"	15	.59	34.5	1.35	69	2.71	36	1.41	M5	FOR F03
3/4"	20	.78	42.5	1.67	85	3.34	42	1.65	M5	FOR F04
1"	25.4	1	46.5	1.83	93	3.66	42	1.65	M5	FOR F04
1 1/4"	32	1.25	55	2.16	110	4.33	50	1.96	M5	FOR F05
1 1/2"	38	1.5	65	2.55	130	5.11	70	2.75	M6	FOR F07
2"	56.8	2	76	3	151	5.94	70	2.75	M6	FOR F07
2 1/2"	65	2.55	92.5	3.64	185	7.28	102	4.01	M8	FOR F10
3"	80	3.14	106	4.17	212	8.34	102	4.01	M8	FOR F10

Stainless Steel & Carbon Steel 150# Flanged End Full Port Ball Valve

Models: TL SSF-3600/Stainless Steel
TL CSF-3500/Carbon Steel



Model TL SSF-3600 shown



FEATURES

Model TLSSF-3600: (Sizes 1/2" thru 16")

TL CSF-3500: (Sizes 1/2" thru 16")

- 2-Piece Flanged Ball Valve
- Trim is ASTM S/S 316
- Seats are PTFE
- Flange ANSI B16.5 Class 150
- Face to Face ANSI B16.10
- Anti Static Device, Fire Safe API607
- Blow-out Proof Stem
- Full bore, solid ball

VALVE SIZE	B		L		H		W			
	INCH	MM	INCH	MM	INCH	MM	INCH	MM		
1/2	15	15	1/2	15	4.25	108	3.34	85	5.70	145
3/4	20	20	3/4	20	4.6	117	3.54	90	5.70	145
1	25	25	1	25	5	127	3.93	100	5.70	145
1 1/4	32	32	1 1/4	32	5.5	140	4.13	105	5.70	145
1 1/2	40	40	1 1/2	40	6.5	165	4.13	105	8.85	225
2	50	50	2	50	7.00	178	4.72	120	8.85	225
2 1/2	65	65	2 1/2	65	7.50	190	6.29	160	15.35	390
3	80	80	3	80	8	203	6.69	170	15.35	390
4	100	100	4	100	9	229	7.28	185	15.74	400
6	150	150	6	150	15.5	394	11.02	280	31.49	800
8	200	200	8	200	18	457	13.38	340	43.30	1100
10	250	250	10	250	21	533	15.74	400	47/24	1200
12	300	300	12	300	24	610	GEAR	GEAR	OPER	OPER
14	350	350	14	350	25	636	GEAR	GEAR	OPER	OPER
16	400	400	16	400	30	762	GEAR	GEAR	OPER	OPER

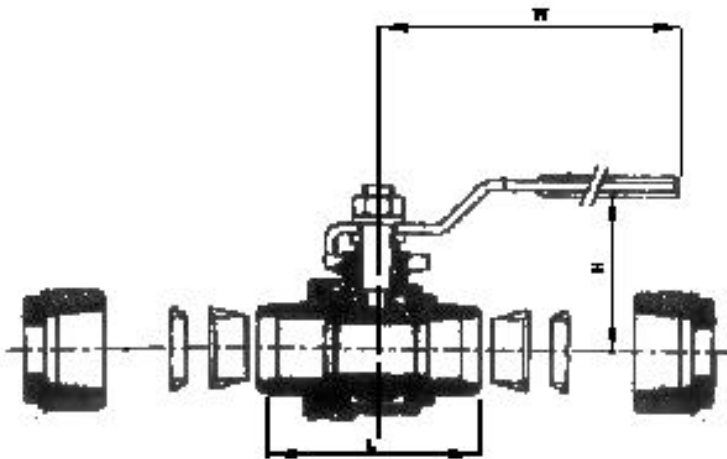
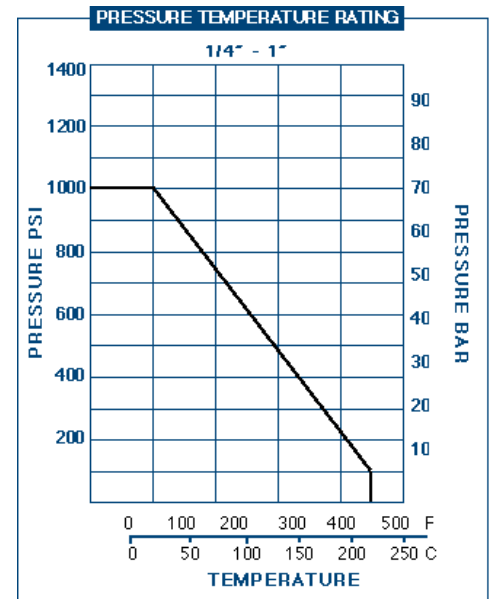


Model TL SS-5000

FEATURES

Model TL SS-5000: (Sizes 1/4" thru 1" TUBE)

- Locking Lever Handle
- Optional Wing Style Handle
- Blow-Out Proof Stem
- Full Port
- Investment Casting Body and Cap
- 1000 PSI (69 Bar) W.O.G.
- Material Stainless Steel ASTM CF8M A351
- Low Cost



DIMENSIONS

TUBE SIZE	L		H		W	
	MM	INCH	MM	INCH	MM	INCH
1/4"	40	1.57	42	1.65	100	3.94
3/8"	40	1.57	42	1.65	100	3.94
1/2"	55	2.18	44	1.73	100	3.94
3/4"	65	2.58	50	1.97	120	4.72
1"	75	2.95	54	2.13	120	4.72

Distributed by:

Due to continuing product development, information may change without notice.